



Product Overview:

Shibuya Hoppmann's standard FT-30 rigid disc centrifugal feeder is designed to feed a variety of products with its unique bowl design. Product is metered into the bowl and brought out to the bowl rim where a series of qualifiers gently orient the part for transfer to various downstream inline devices. Note: Tooling is not included with this unit.

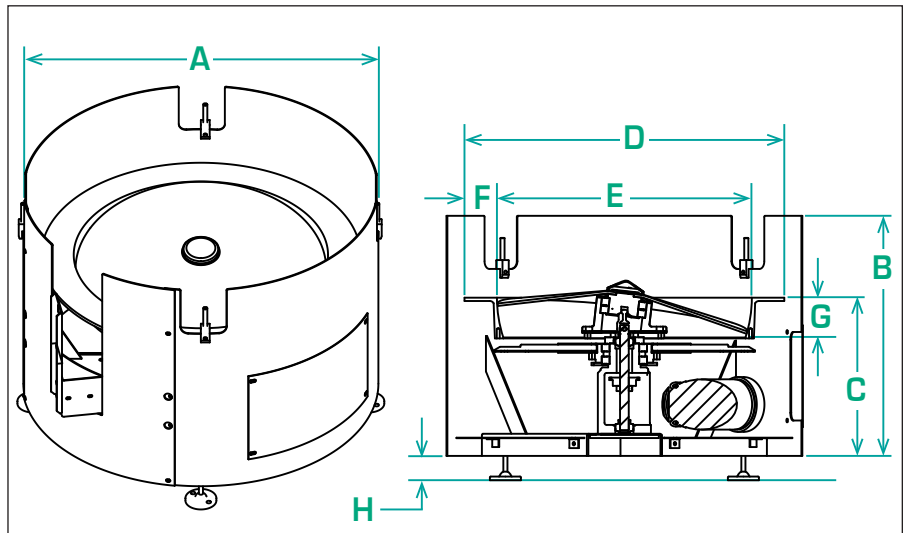
Part Number	FT301RLDSA	FT301RLASA
Motor Style	DC	AC
Motor Voltage	90V	230/460V
Horsepower	1/3hp	1/3hp
Total Equipment Weight	350 lbs. / 159 kg	

Standard Features:

- All stainless steel exterior construction
- FDA approved ABS vacuum formed disc
- Teflon Hardcoat Anodized aluminium bowl

Available Options:

- Polycarbonate covers
- Dual motor drive system
- Washdown motor(s)
- NEMA 1 encased controller



Recommended Accessories:

Clockwise: Square Tooling Frame and Backup Ring	BUCWFT30SU
Counter-Clockwise: Square Tooling Frame and Backup Ring	BUCCF30SU

Product Specifications	ANSI	Metric
A Outside Diameter	40.10"	1018.5mm
B Overall Frame Height	27.13"	689.1mm
C Bowl Discharge Height *	17.88"	454.2mm
D Bowl Outside Diameter	36.13"	917.7mm
E Bowl Inside Diameter	28.80"	731.5mm
F Rim Width	3.67"	93.2mm
G Bowl Depth	4.50"	114.3mm
H Level Foot Adjustment	2.75" *	±69.9mm *

* The leveling foot has a vertical adjustment of $\pm 1.75"$, allowing for a height variation between 1.00" and 4.50". This may alter the discharge height.