



Product Overview:

Shibuya Hoppmann's FT-15-RD centrifugal feeder, one in a series of FT feeders, is ideally suited to efficiently feed and orient small parts. The delivery rate varies from moderate to high speeds depending on part characteristics. The FT-15 is engineered to interface with prefeeders, accumulating conveyors, and assembly equipment.

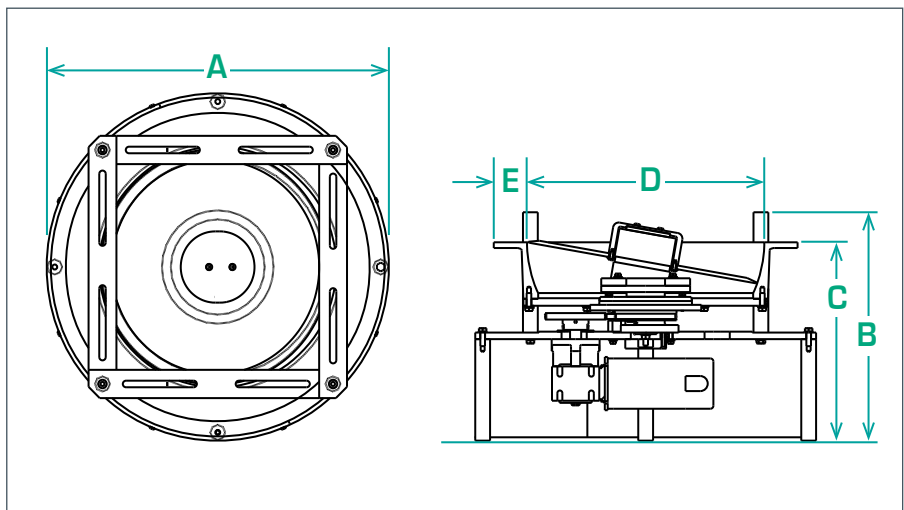
Part Number	FT151RLDSA	FT151RLASA
Motor Style	DC	AC
Motor Voltage	90V	230/460V
Horsepower	1/5 hp	1/5 hp
Total Equipment Weight	134 lbs. / 61 kg	

Standard Features:

- All stainless steel exterior construction
- Square tooling frame
- Teflon Hardcoat Anodized aluminium bowl and disc
- disc and bowl

Available Options

- Polycarbonate covers
- Dual motor drive system
- NEMA 1 encased controller
- Washdown motor(s)



Recommended Accessories:

Clockwise: Square Tooling Frame	BUCWFT15SU
Counter-Clockwise: Square Tooling Frame	BUCCT15SU

Product Specifications		ANSI	Metric
A	Overall Diameter	23.00"	584.0mm
B	Overall Height	16.00" ± 1"	405.0 ± 25mm
C	Bowl Discharge Height	12.75" ± 1"	324.0 ± 25mm
D	Bowl Inner Diameter	16.00"	406.0mm
E	Rim Width	2.25"	57.0mm